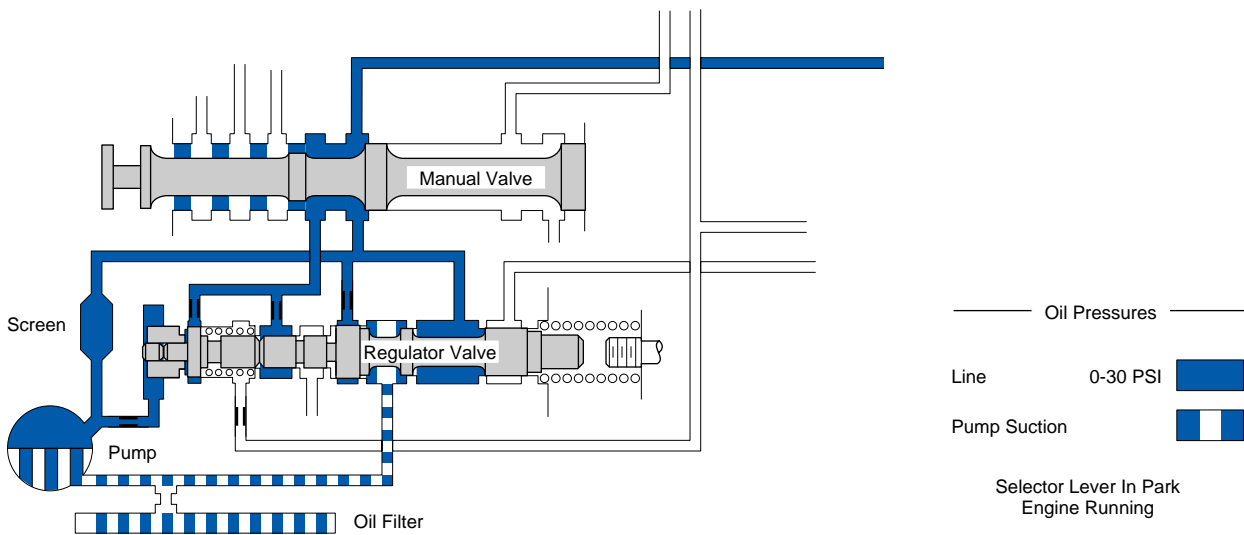
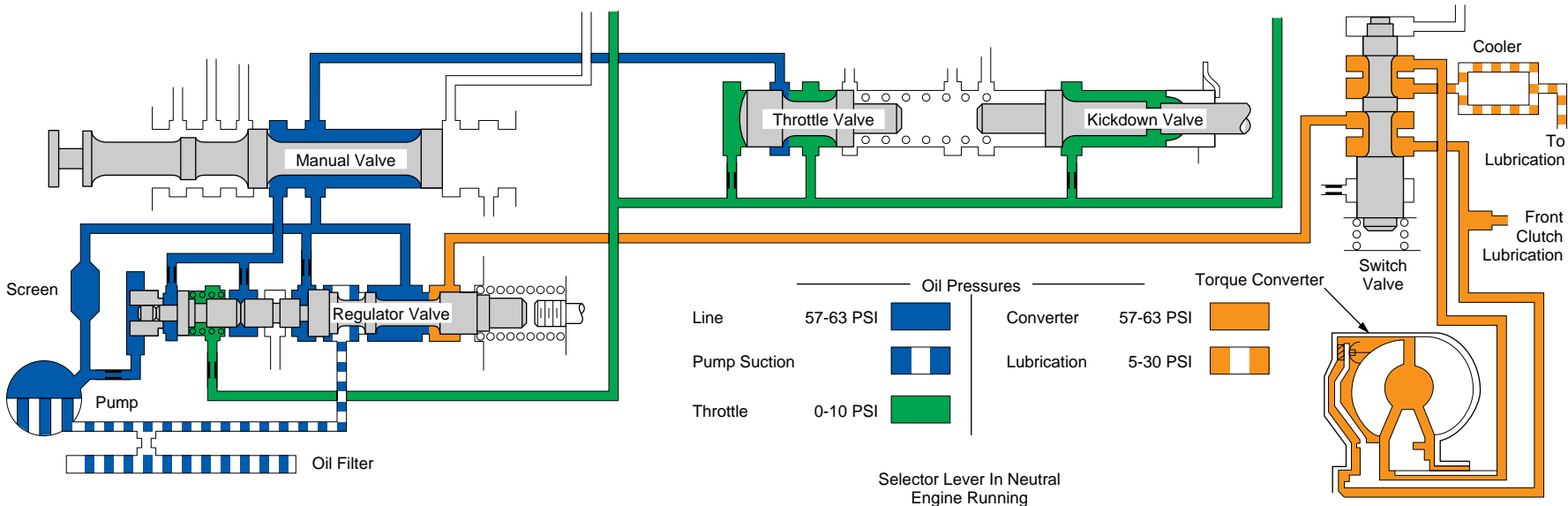
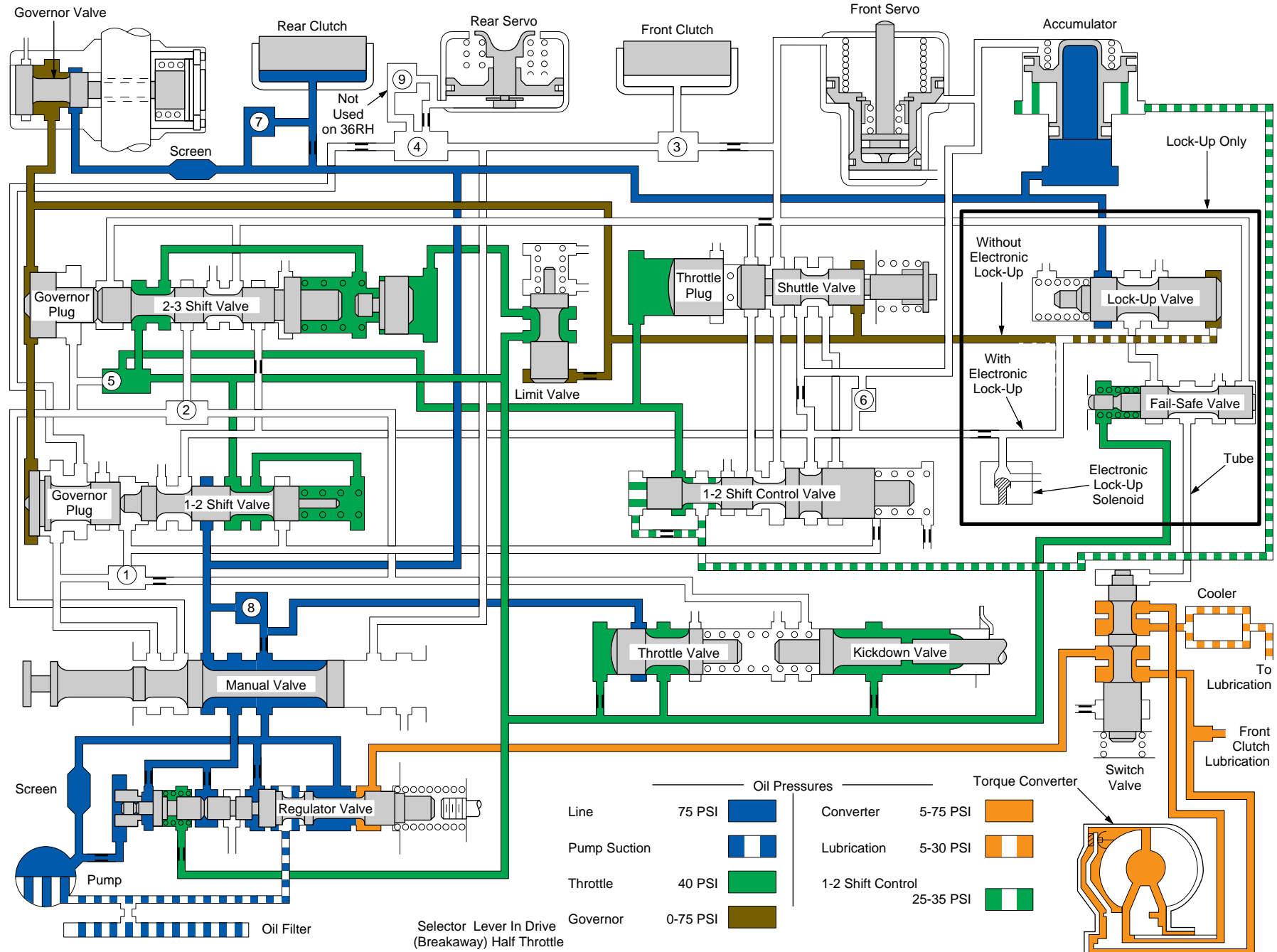


Chrysler 30RH, 32RH, 36RH, & 37RH

Neutral & Park (Engine Running) - "N" & "P" Range

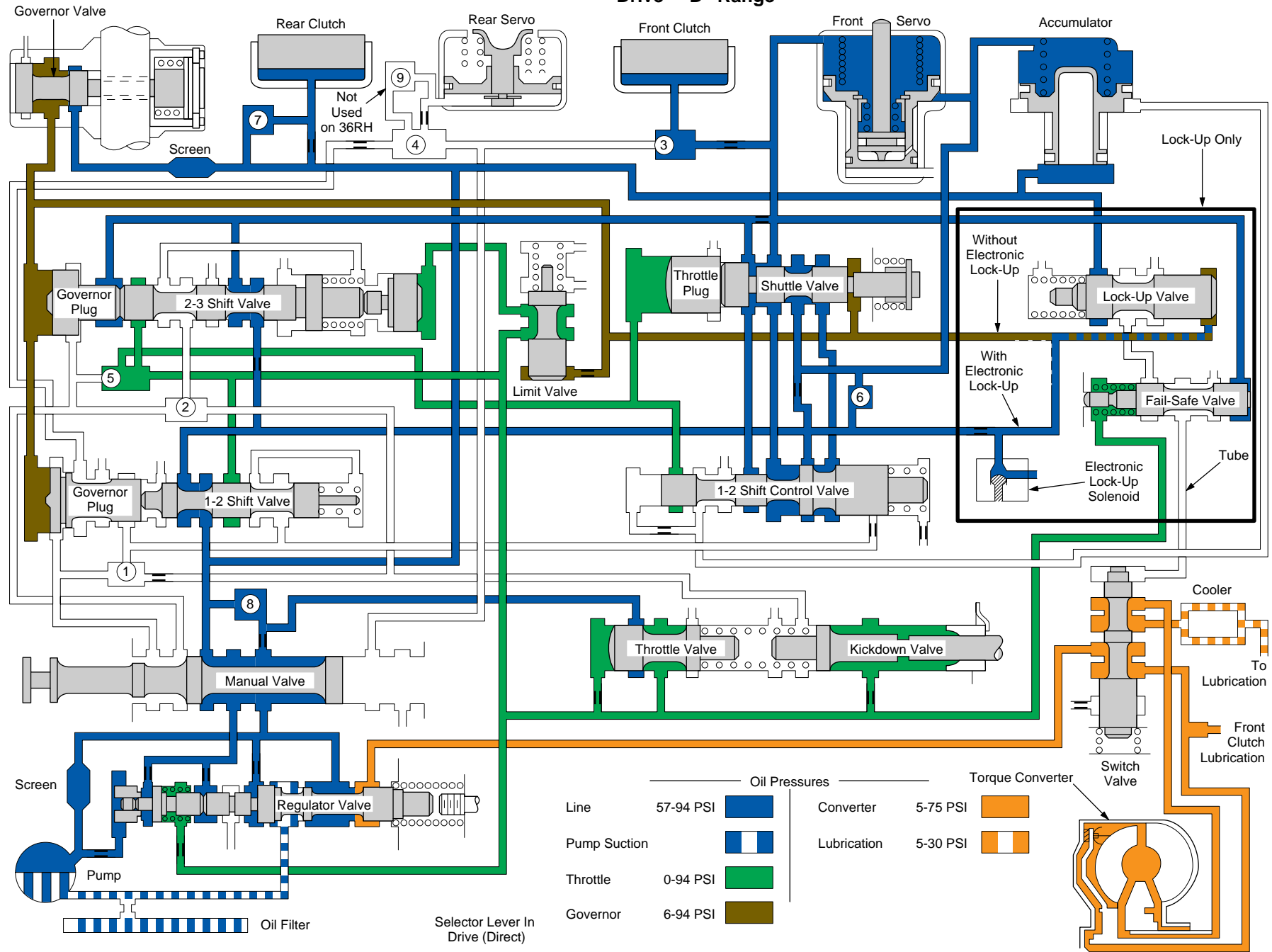


Chrysler 30RH, 32RH, 36RH & 37RH Drive (Kickdown AQt Half Throttle) - "D" Range

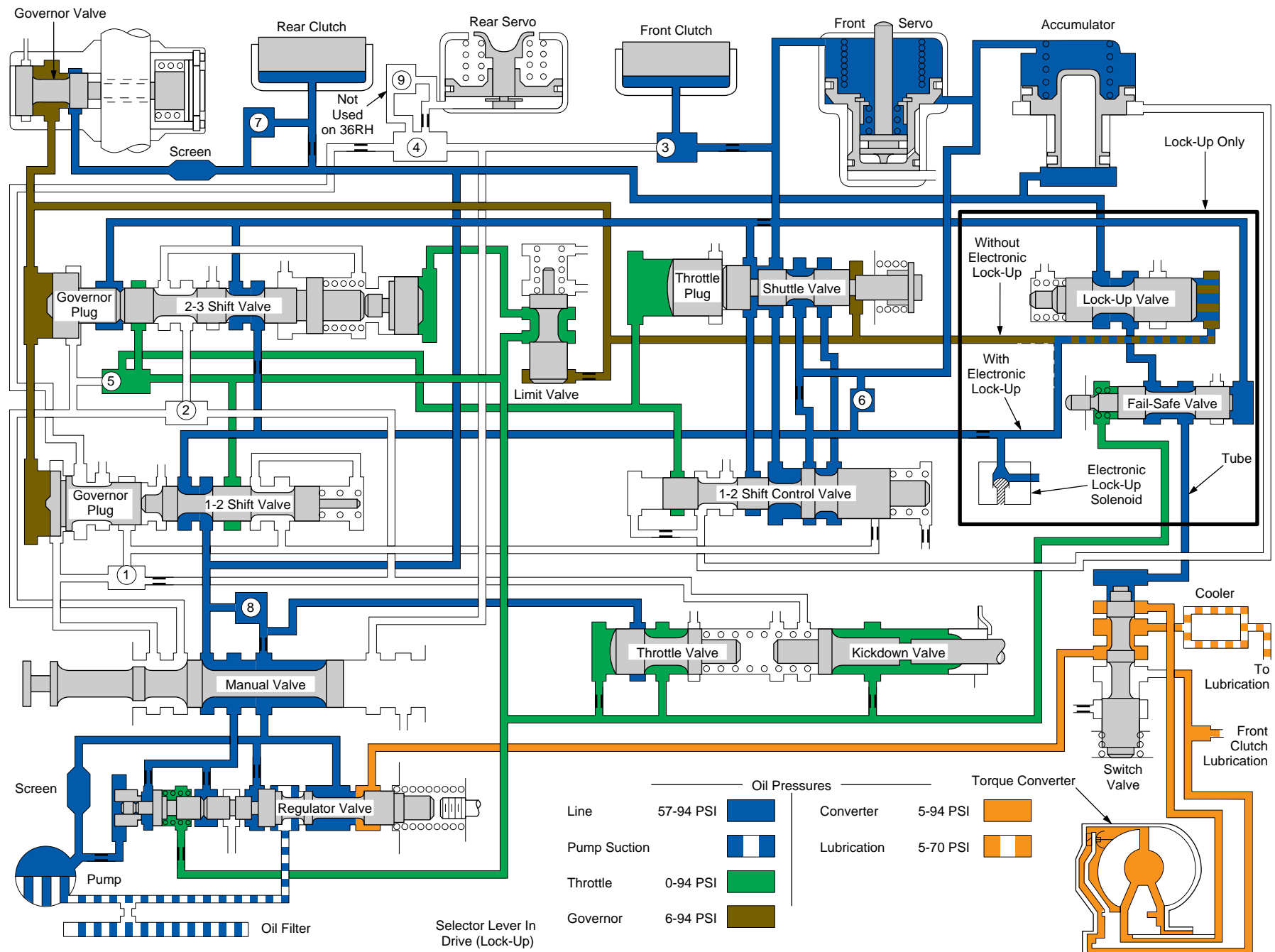


Chrysler 30RH, 32RH, 36RH & 37RH

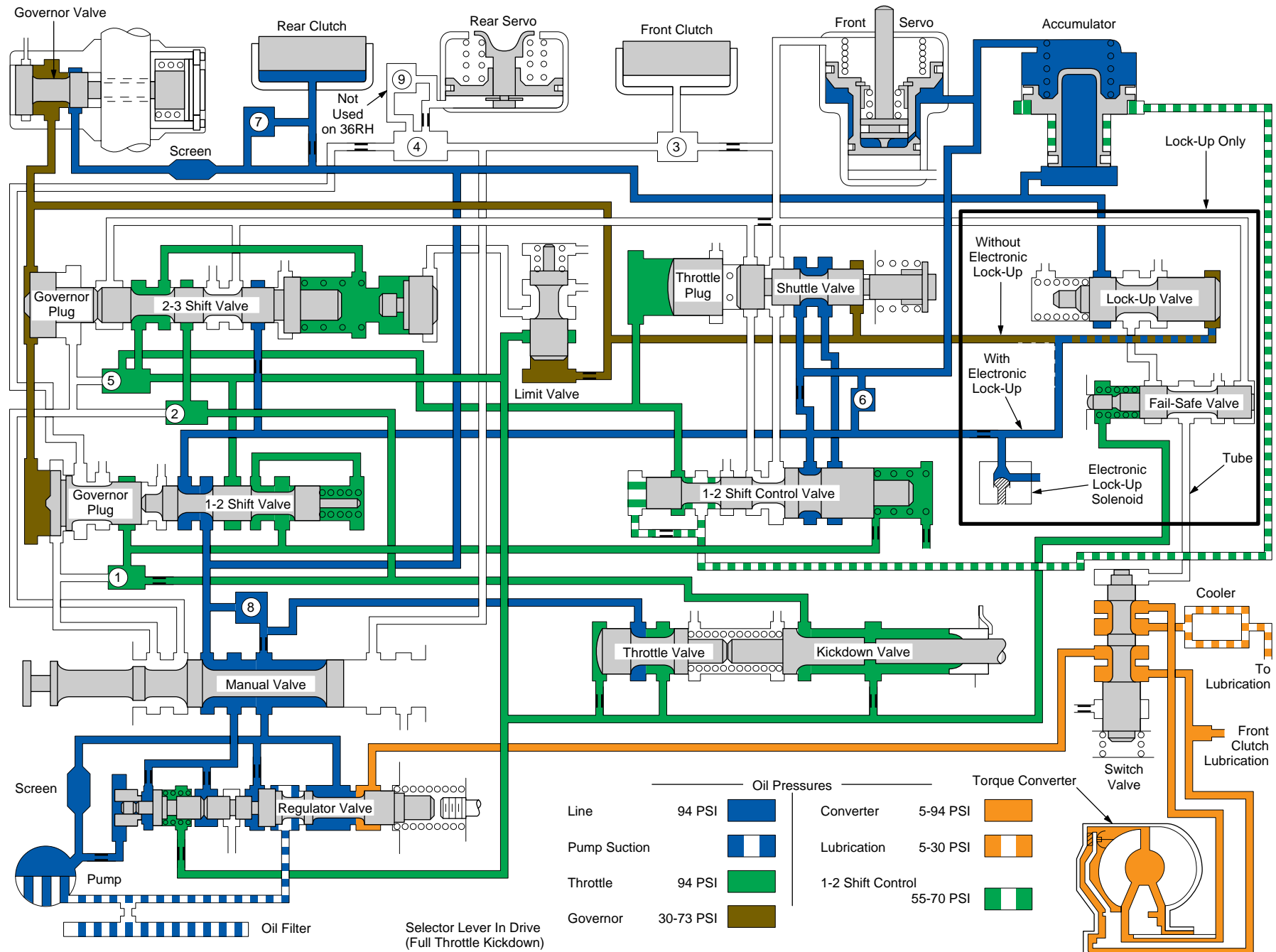
Drive - "D" Range



Chrysler 30RH, 32RH, 36RH & 37RH Drive (Full Lock-Up) - "D" Range

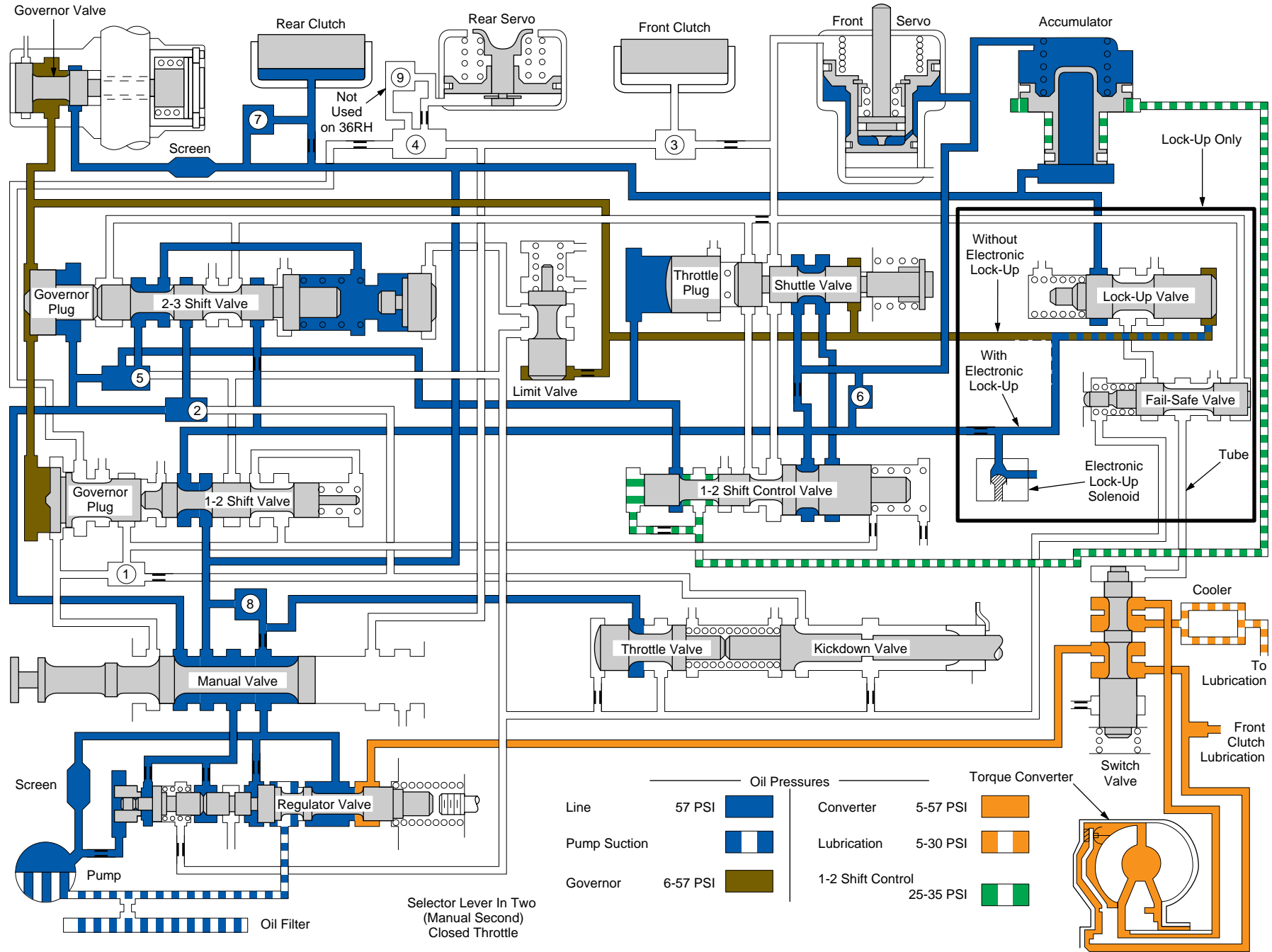


Chrysler 30RH, 32RH, 36RH & 37RH Drive (Full Throttle Kickdown) - "D" Range



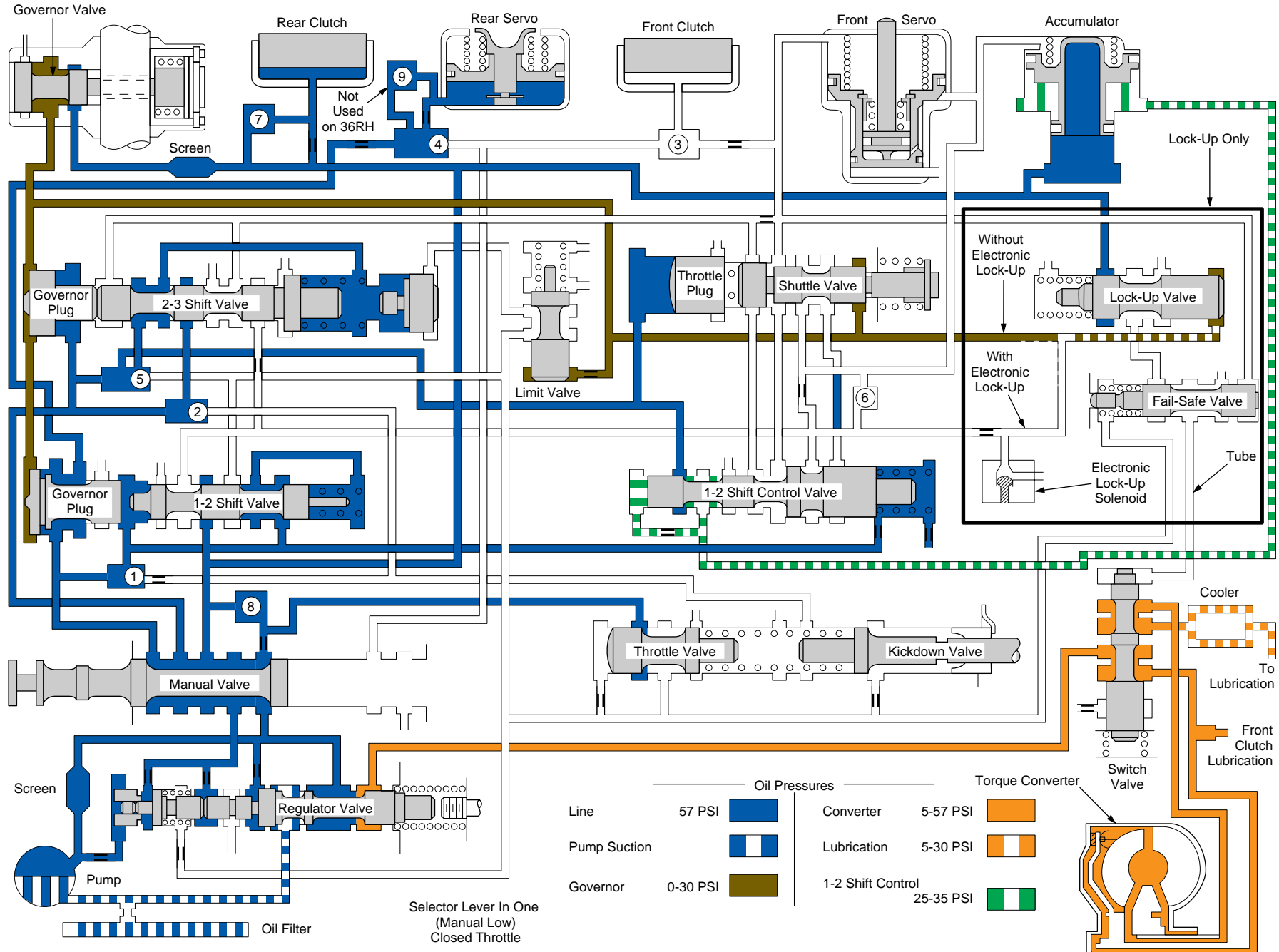
Chrysler 30RH, 32RH, 36RH & 37RH

2nd Gear Manual Select (Closed Throttle) - "2" Range



Chrysler 30RH, 32RH, 36RH & 37RH

1st Gear Manual Select (Closed Throttle)



Chrysler 30RH, 32RH, 36RH, & 37RH

Reverse - "R" Range

